



## Pattern Collection: Children



### Munchkin Set

Designed by Universal Yarn Design Team

### SIZE

Fits Newborn-12 months

### FINISHED MEASUREMENTS

Cardigan Chest, buttoned: 21 $\frac{3}{4}$ "

Hat Circumference: 14 $\frac{1}{4}$ "

Bootie Length: 4 $\frac{1}{4}$ "

### MATERIALS

Universal Yarn *Uptown Worsted Tapestry*  
(100% anti-pilling acrylic; 100g/180 yds)

- 807 Prairie Fields – 3 balls

**Needles:** US Size 7 (4.5 mm) 24" circular,  
set of dpns *or size needed to obtain gauge*

**Notions:** Tapestry needle, stitch markers,  
stitch holders, 4 toggle buttons

### GAUGE

17 sts x 23 rows = 4" in St st

**Save time, check your gauge.**

*Knit, Relax, Smile, Repeat!*

2016 © Universal Yarn, Inc.

All rights reserved.

[www.universalyarn.com](http://www.universalyarn.com)

This pattern may not be reproduced for business, trade or sale.

## PATTERN NOTES

The booties begin at the center bottom of the sole. They are knit in the round and bound off at the top of the cuff.

The Cardigan is knit in one piece from the bottom up.

In order to get matching booties and sleeves, begin each piece at the same place in the printed patterning of the yarn. You may need to remove lengths from a ball of yarn to achieve this.

**2-St I-Cord:** Cast on 2 sts to dpn. \* K2, slide sts to other end of ndl and place in left hand. Rep from \*.

**4-St I-Cord:** Cast on 4 sts to dpn. \* K2, slide sts to other end of ndl and place in left hand. Rep from \*.

**2-St I-Cord Bind-off:** With working yarn, cast on 2 sts to left ndl using the knitted method. \* K1, k2tog tbl (last I-Cord st tog with next live st) – 1 st bound off; slip these 2 sts back to left ndl; rep from \* until all sts are bound-off. Bind off rem 2 sts.

## BOOTIES

With dpns, cast on 28 sts leaving an 8" tail. Divide evenly among 4 dpns and join to work in the rnd, being careful not to twist sts.

### Bottom of Sole

**Rnds 1:** Purl.

**Rnd 2:** K1, pm, kfb, k10, kfb, pm, k1, pm, kfb, k10, kfb, pm, k2 – 32 sts.

**Rnd 3:** Purl.

**Rnd 4:** K1, sl m, kfb, knit to 1 st bef m, kfb, sl m, k1, sl m, kfb, knit to 1 st bef m, kfb, sl m, k2 – 36 sts.

### Side of Sole

[Purl 1 rnd, knit 1 rnd] 3 times. Purl 1 rnd.

### Shape Top of Foot

**Row 1 (RS):** K22, ssk, turn.

**Row 2 (WS):** Sl 1 pwise, p8, p2tog, turn.

**Row 3:** Sl 1 kwise, k8, ssk, turn.

**Row 4:** Sl 1 pwise, p8, p2tog, turn.

Rep Rows 3-4, 2 more times – 28 sts rem.

**Next row (RS):** Sl 1 kwise, k8, ssk, knit to end of rnd, turn – 27 sts rem.

**Next row (WS):** Sl 1, p16, p2tog, p8 (to end of rnd), turn – 26 sts rem.

**Next rnd:** Sl 1, knit to end.

**Eyelet rnd (RS):** K3, \* yo, k2tog, k2; rep from \* to last 3 sts, yo, k2tog, k1.

Knit 1 rnd.

### Cuff

[Knit 1 rnd, purl 1 rnd] 3 times. Knit 1 rnd. Bind off all sts using 2-st I-Cord Bind-Off. Sew cast-on edge tog with tail to close Bottom of Sole.

## HAT

With dpns, cast on 54 sts. Divide evenly among 4 dpns and join to work in the rnd, being careful not to twist sts.

### Brim

[Purl 1 rnd, knit 1 rnd] 2 times. Purl 1 rnd.

**Inc rnd:** \* K8, kfb; rep from \* to end – 60 sts.

Work even in St st (knit every rnd) until piece meas 5".

**Eyelet Rnd:** \*K2tog, yo, k2; rep from \* to end. Knit 3 rnds. Bind off all sts.

## CARDIGAN

### Sleeves

With dpns, cast on 22 sts. Divide evenly among 4 dpns and join to work in the rnd, being careful not to twist sts.

### Cuff

[Purl 1 rnd, knit 1 rnd] 2 times. Purl 1 rnd.

### Main Sleeve

Knit 2 rnds.

**Inc rnd:** Kfb, knit to last 2 sts, kfb, k1 – 2 sts inc'd. Rep Inc rnd every 44 more times – 32 sts. Work even in St st until piece meas 6".

**Next rnd:** Knit to last 2 sts, bind off next 4 sts – 28 sts rem. Break yarn, place sts on holder.

### Body

With circ ndl, cast on 86 sts. Knit 12 rows.

### Establish Body Pattern

**Row 1 (RS):** K20 sts for Right Front, pm, k46 sts for Back, pm, k20 sts for Left Front.

**Row 2 (WS):** Purl, slipping markers as you come to them.

Cont in St st until piece meas 6", ending with RS row.

*Knit. Relax. Smile. Repeat!*

2016 © Universal Yarn, Inc.

All rights reserved.

[www.universalyarn.com](http://www.universalyarn.com)

This pattern may not be reproduced for business, trade or sale.

**Next row (WS):** \* Purl to 2 (3, 3) sts before m, bind off next 4 sts; rep from \* 1 more time, purl to end – 78 sts rem, 42 Back sts, 18 sts each Front.

### Join Body and Sleeves

**Row 1 (RS):** Knit across Left Front sts, pm, knit across Sleeve sts, pm, knit across Back sts, pm, knit across Sleeve sts, pm, knit across Right Front sts – 134 sts.

**Rows 3-4:** Work even in St st.

**Row 5 (Raglan Inc Row):** \* Knit to 3 sts bef m, k2tog, k1, sl m, k1, ssk; rep from \* 3 more times, knit to end – 8 sts dec'd, 126 sts rem.

**Row 6:** Purl.

**Row 7 (Raglan + Neck Inc Row):** K1, k2tog, \* knit to 3 sts bef m, k2tog, k1, sl m, k1, ssk; rep from \* 3 more times, knit to last 3 sts, ssk, k1 – 10 sts dec'd, 116 sts rem.

**Row 8:** Purl.

**Rows 9-20:** Rep Rows 5-8, 3 more times – 62 sts rem; 6 sts each Front, 12 sts each Sleeve, 32 Back sts.

**Rows 21-22:** Rep Rows 7-8 – 52 sts rem.

**Row 23:** K1, k2tog, k1, \* sl m, k1, ssk, knit to 3 sts bef m, k2tog, k1; rep from \* 2 more times, sl m, k1, ssk, k1 – 44 sts rem.

**Row 24:** Purl.

**Row 25:** K3tog, \* sl m, k1, ssk, knit to 3 sts bef m, k2tog, k1; rep from \* 2 more times, ssk – 34 sts rem.

**Row 26:** Purl. Break yarn, place sts on holder.

### FINISHING

#### Bootie Ties (*make 2*)

Make 14" of 2-st I-Cord. Weave in and out of eyelets. Gather and tie in a bow.

#### Hat Tie

Make 22" of 4-st I-Cord. Weave in and out of eyelets. Gather and tie in a bow.

Block Cardigan to finished measurements.

### Cardigan Buttonband

With RS facing, pick up and knit 32 sts along Right Front from cast-on edge to beg of Neck shaping, 15 sts along Right Front Neck, knit across 34 held Neck sts, pick up and knit 15 sts along Left Front

Neck to beg of Neck shaping, and 32 sts along Left Front to hem – 128 sts. Knit 2 rows.

**Buttonhole Row (WS):** K3, \* k2tog, yo; rep from \* 3 more times, knit to end – 4 buttonholes. Knit 2 rows. Bind off all sts using 2-St I-Cord Bind-off. Sew underarm seam. Weave in ends. Sew buttons to Buttonband opposite buttonholes.

### Abbreviations

<b>approx</b>	approximately
<b>bef</b>	before
<b>beg</b>	begin(ning)
<b>cont</b>	continue
<b>dpn(s)</b>	double pointed needle(s)
<b>inc('d)</b>	increase(d)
<b>k</b>	knit
<b>k2tog</b>	knit 2 stitches together (1 st dec'd)
<b>k3tog</b>	knit 3 stitches together (2 sts dec'd)
<b>kfb</b>	knit into the front leg, then the back leg of the next st (1 st inc'd)
<b>LH</b>	left hand
<b>m</b>	marker
<b>meas</b>	measures
<b>ndl</b>	needle
<b>patt</b>	pattern
<b>pm</b>	place marker
<b>pwise</b>	purlwise
<b>p2tog</b>	purl 2 sts together (1 st dec'd)
<b>rem</b>	remain(ing)
<b>rep</b>	repeat
<b>rnd</b>	round
<b>RS</b>	right side
<b>sl</b>	slip
<b>ssk</b>	slip next 2 sts individually knitwise, slip them back to left needle in this position, knit them together through the back loops (1 st dec'd)
<b>st(s)</b>	stitch(es)
<b>tbl</b>	through the back loop(s)
<b>tog</b>	together
<b>WS</b>	wrong side
<b>Yo</b>	yarn over

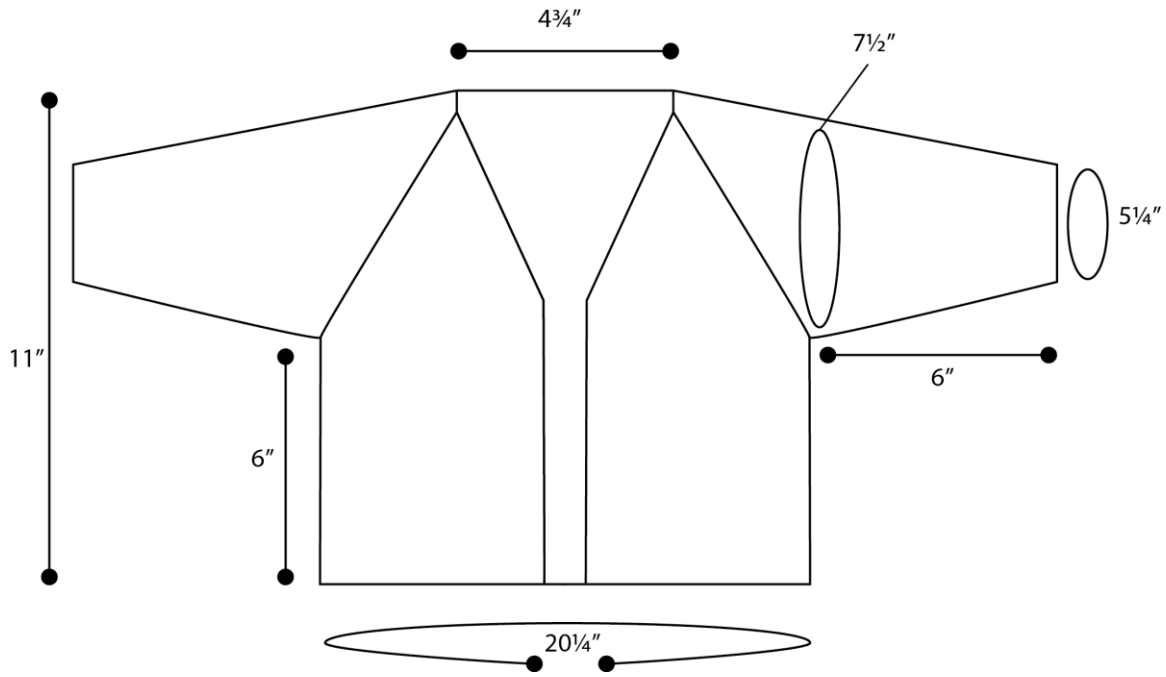
*Knit. Relax. Smile. Repeat!*

2016 © Universal Yarn, Inc.

All rights reserved.

[www.universalyarn.com](http://www.universalyarn.com)

This pattern may not be reproduced for business, trade or sale.



*Knit, Relax, Smile, Repeat!*

2016 © Universal Yarn, Inc.

All rights reserved.

[www.universalyarn.com](http://www.universalyarn.com)

This pattern may not be reproduced for business, trade or sale.